

World-leading Surface Preparation and Finishing Solutions

Personal Protection Equipment



AIRBLAST EUROSPRAY, AN INTRODUCTION

Airblast Eurospray is one of the leading global voices in surface preparation and finishing. We design, manufacture, install and sell blast and spray equipment and facilities to some of the world's most important organisations. With roots stretching back to 1971, we're known for driving the market with innovative, technically excellent blast and paint solutions for a wide range of industries.

WORLD-LEADING BLAST AND SPRAY EXCELLENCE

Our equipment is used in many demanding environments where product integrity is vital – so we only manufacture and sell facilities and equipment that we know are:

- Robust
- Well-designed
- Powerful
- Able to deliver optimum performance – safely and efficiently

PROFESSIONAL RESULTS

We're proud to offer complete solutions for any blast and spray application with a full range of products and services to help you complete your work to a high professional standard. If you have a bespoke query or cannot locate a specific product our brochures, please contact our sales team who will be happy to help you.

KNOWLEDGE TRANSFER

Performance is nothing without knowledge - especially with safety-critical processes like blasting. That's why we provide full operator training with industry experts as well as top-up training to keep experienced operators up-to-date with the latest blast and paint technology and developments. Contact our Training Specialists on 01778 560650 to find out more.

SERVICE AND AFTERCARE

We want you to get the best from your equipment for years to come, so we offer:

- Product and facility servicing
- Service contracts with reduced parts and labour rates
- Equipment collection
- Site visits, inspection and investigation services
- Next day delivery on many products

EQUIPMENT HIRE

Want to try before you buy? Many of our products are available for hire including blast machines, coating systems, water injection pumps, vacuum transfer units, suction and pressure cabinets, dust arrestors, hand-held closed circuit blast machines, closed circuit blasting and extractor fans. Contact our Hire Team for more information.

Finance packages available to help spread the cost of purchase. Get in touch today.

AIRBLAST EUROSPRAY

Telephone: 01778 560650

Unit 26 King Street Industrial Estate
Langtoft
Peterborough
PE6 9NF

sales@airblast.co.uk

RPB NOVA 3 BLAST HELMET

The RPB Nova 3 Blast Helmet offers superior comfort and functionality combined with the latest in protection technology.

Tested to the highest industry standards, the respirator is designed for maximum safety and minimum worker downtime. The Nova 3 meets standards worldwide including NIOSH, ANSI Z87.1 - 2010+ and ANSI Z89.1 - 2012 Type 1 Class C so that operators can be confident that they are fully protected.

The durable helmet shell is high pressure injection moulded from engineered nylon to withstand the harshest conditions.

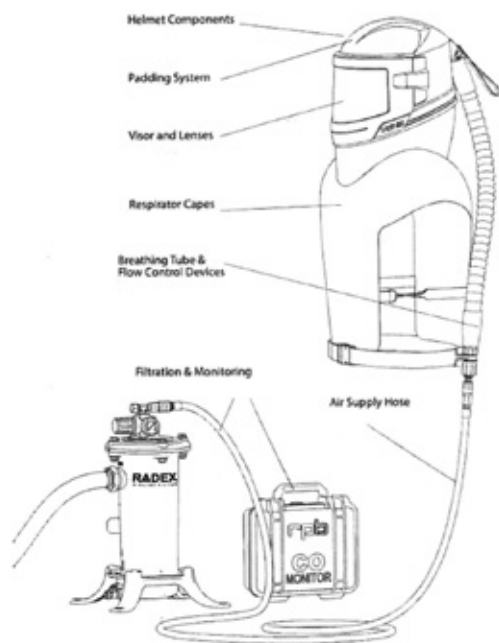
Along with its safety credentials, the Nova 3 also offers maximum comfort. The air is distributed evenly via the air channel and guided into the breathe zone to prevent fogging. Vents on top of the dome allow air to circulate within the helmet to keep users cool while preventing head chill.

In addition, the Nova helmet distributes weight evenly across the head and shoulders and is equipped with "Clever Fit Padding" (patent pending) which allows it to be individually customised to each user, helping to ensure a comfortable fit and reduced fatigue.

It also helps to absorb sound, protecting the operator's hearing and giving them a clear head to concentrate on their work. On top of this, the padding is machine washable to ensure that the helmet stays hygienic and pleasant to wear.

Features:

- "Fit and Click" inner lens system – easy to operate even when wearing gloves.
- The field-replaceable air inlet fitting has an O-ring seal and a unique thread so it can't be fitted incorrectly.
- Large viewing window provides superior visibility.
- Tear off lens system ensures only one lens is removed at a time for increased productivity.
- Bellow seal system completely seals against dust and particulates.
- Securely attached cape and clip on cape seal prevents dust and abrasive entering the helmet.
- All parts can be removed and re-attached using one hex lock key for easy maintenance.



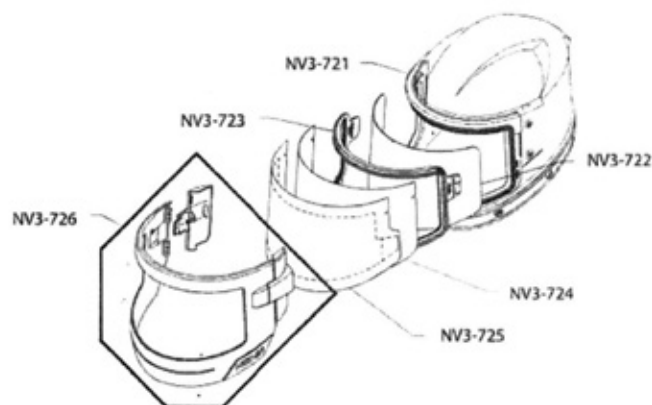
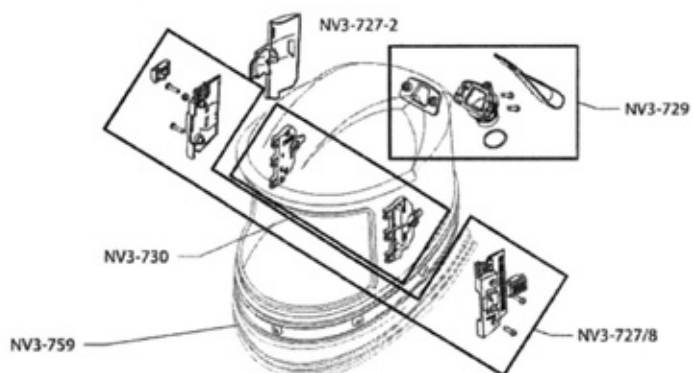
RPB NOVA 3 BLAST HELMET

Helmet components – Parts list

| Part no. | Description |
|-------------|---|
| ABNV3-727-2 | Visor hinge lock |
| ABNV3-727/8 | Visor latch mount kit Includes: Latch mount, hinge mount, covers |
| ABNV3-729 | Air inlet kit includes: Air inlet, O-ring, back plate, hanging strap |
| ABNV3-730 | padding connectors (left and right) |
| ABNV3-759 | Cape coverband |

Visor and lenses – Parts list

| Part no. | Description |
|-----------|--|
| ABNV3-721 | Inner gasket |
| ABNV3-722 | Inner lens pack of 10 |
| ABNV3-723 | Inner lens frame |
| ABNV3-724 | Outer lens pack of 50 |
| ABNV3-725 | Tear-off lens pack of 50 |
| ABNV3-726 | Visor kit – Includes: Visor with hinge pin and latch, hinge lock |



RPB NOVA 3 BLAST HELMET

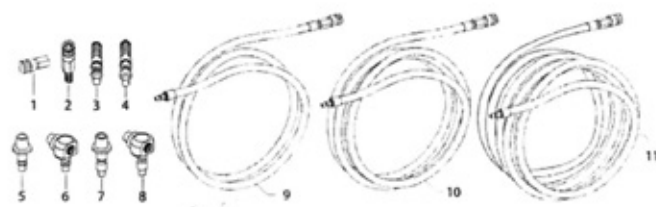
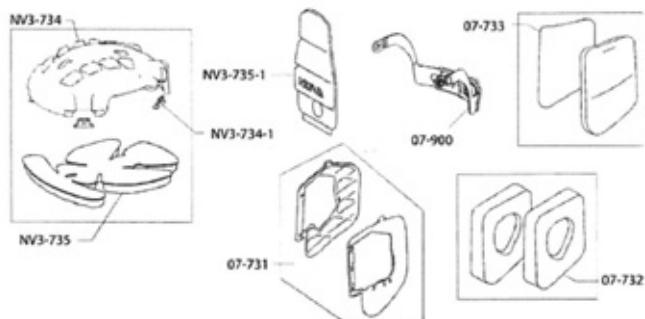
Padding systems – Parts list

| Part no. | Description |
|---------------|--|
| ABNV3-731 | Side padding frames (left and right) |
| ABNV3-732-xxx | Side padding foam pads Pack of 5 pairs (A10 Thin, A15 medium, A20 thick)** |
| ABNV3-734 | Head liner kit – Includes: Head liner, head liner foam padding, head liner clip x 4 |
| ABNV3-734-1 | Head liner clips, pack of 4 |
| ABNV3-735 | Head liner padding |
| AB07-900 | Adjustable head support |

**Note that the A10 is for longer head sizes and the A20 is for smaller head sizes.

Air supply hoses – Parts list

| No | Part no. | Description |
|----|-----------------|----------------------------|
| 1 | ABNV2025 | Quick disconnect coupler |
| 2 | AB03-052-CB-RZ | RZ coupler |
| 3 | ABNV2024 | Quick disconnect |
| 4 | AB03-052-PB-RZ | RZ Plug hose |
| 5 | ABNV2032 | Quick dis.plug male thread |
| 6 | AB03-007 | Quick dis. swivel |
| 7 | AB03-052-PM-RZ | RZ Plug male thread |
| 8 | AB03-052-PMS-RZ | RZ swivel plug |
| 9 | ABNV2028 | 7.5m air supply hose |
| 10 | ABNV2029 | 15m Air supply hose |
| 11 | ABNV2027 | 30m Air supply hose |



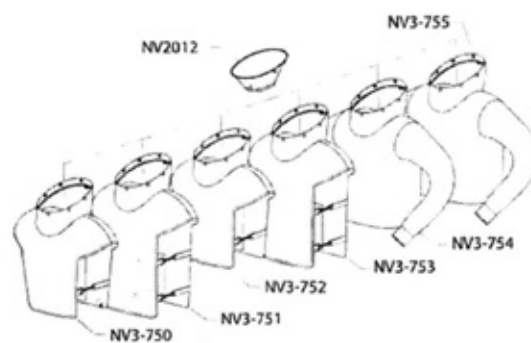
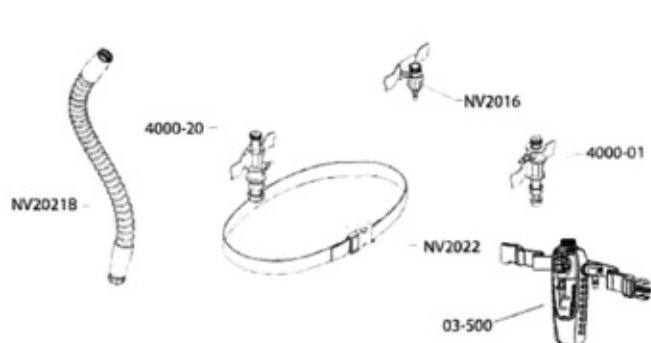
RPB NOVA 3 BLAST HELMET

Breathing tube and flow control device – Parts list

| Part no. | Description |
|-----------|---|
| ABNV20218 | Breathing tube (dark grey) |
| ABNV2022 | Belt |
| ABNV2016 | Flow control valve assembly Includes: Flow control valve, belt |
| AB4000-01 | Cool air tube assembly – Includes: Cool air tube, belt |
| AB4000-20 | Hot air tube assembly – Includes: Hot air tube, belt |
| AB03-500 | C40 Climate control tube – Includes: C40 belt |

Respirator capes – Parts list

| Part no. | Description |
|-----------|-----------------------|
| ABNV3-750 | 28" Nylon cape |
| ABNV3-751 | 38" Nylon cape |
| ABNV3-752 | 28" Leather cape |
| ABNV3-753 | 38" Leather cape |
| ABNV3-754 | Blast jacket size XL |
| ABNV3-755 | Blast jacket size XXL |
| ABNV2012 | Inner bib |



NOVA 2000 BLAST HELMET

The RPB® NOVA 2000™ has been tested and approved to Respiratory Protection standards worldwide including NIOSH, CE and AS/NZS. The NOVA 2000™ has been designed specifically for blasting, by blasting experts. RPB® has incorporated over 100 years of combined blasting experience for improved operator comfort and performance.

"Fit And Save™" system boosts productivity

The NV2017 Tear off Lenses system is a unique "FIT AND SAVE™" system of pre-folded tabs. This means workers can quickly tear off just one, layered, lens at a time. Contractors have reported a time saving of over 45 minutes a day per blaster using the RPB "FIT AND SAVE™" system, and a resulting increase in productivity.

Safety above all else

The high standards required of modern work environments make onsite health and safety a priority. Aside from injuries there is the potential cost of business interruption, non-compliance, and risk to company reputation. The NOVA 2000™ Advanced Abrasive Blasting Helmet mimimises the risk to your people, and your business.

Comfortable kit – clear thinking

A comfortable respirator system dramatically reduces worker fatigue and increases productivity. Lightweight pillow foam padding provides maximum comfort and reduces outside noise to a minimum. A soft breathable inner cape allows perfect airflow while keeping out contaminants, and the advanced Air Duct Distribution System creates a constant flow of breathable air, preventing fogging and keeping workers cool.

The large, double lens offers optimum vision without irritating side glare. Every feature of the NOVA 2000™ has been designed, manufactured and tested to ensure workers' safety and comfort under even the most demanding conditions.



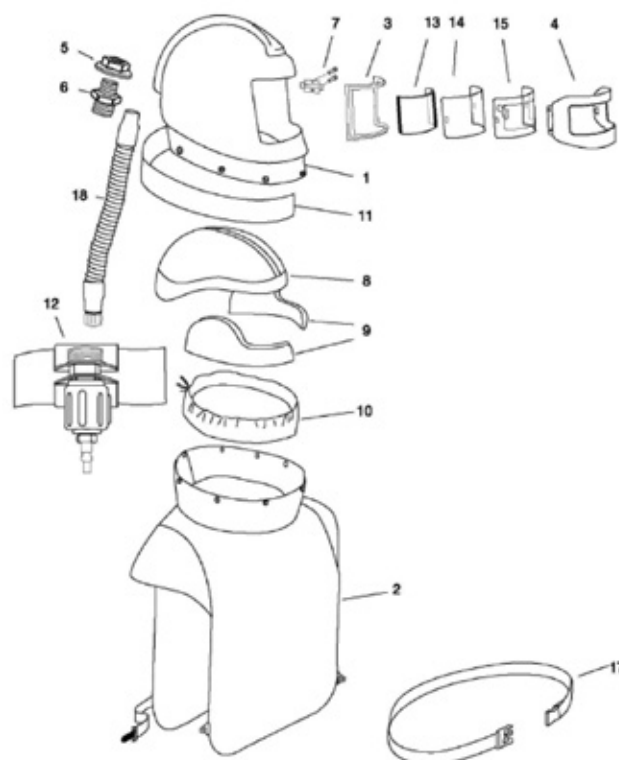
| Part no. | Description |
|--------------|---|
| PPEHELVN2001 | NOVA Air Supplied Blasting Helmet, complete with: |
| | - In-helmet low flow warning device |
| | - Breathing air tube assembly |
| | - Adjustable flow control valve and nylon belt |
| | - Nylon cape |
| | - CE approved to EN 271 |

Unbeatable

When blasting, protection from debris is the number one safety concern. The NOVA 2000™ has a super-tough shell of high-density polyethylene, which is U.V. stabilised and abrasion-resistant. Two types of capes are available to suit working conditions; lightweight nylon (also available in XL) and rugged, durable leather. Eight purpose-designed domes ensure capes remain secured and in position. And it's built to last even in the most extreme blasting conditions.

| Nova – Parts list | | |
|-------------------|----------|-----------------------------------|
| Item | Part no. | Description |
| 02 | NV2002 | Nylon cape c/w inner bib |
| 03 | NV2003 | Window frame gasket |
| 04 | NV2004 | Visor with hinge and screws |
| 05/06 | NV2006 | Air inlet assembly |
| 07 | NV2008 | Visor latch and screws |
| 08 | NV2009 | Polystyrene helmet liner (medium) |
| 09 | NV2010 | Sidewings (medium) |
| 10 | NV2012 | Inner bib |
| 11 | NV2013 | Cape cover band |
| 12 | NV2023 | Adjustable flow control valve |
| 13 | NV2018 | Inner lens (pack of 10) |
| 14 | NV2031 | Outer lens (pack of 50) |
| 15 | NV2017C | Tear-off lens (pack of 50) |
| 17 | NV2022 | Belt with buckles |
| 18 | NV2021 | Breathing air tube |

| Optional accessories | |
|----------------------|------------------------|
| Part no. | Description |
| NV40001 | Cold Air Tube assembly |
| NV400020 | Hot Air Tube assembly |



RADEX AIRLINE FILTER

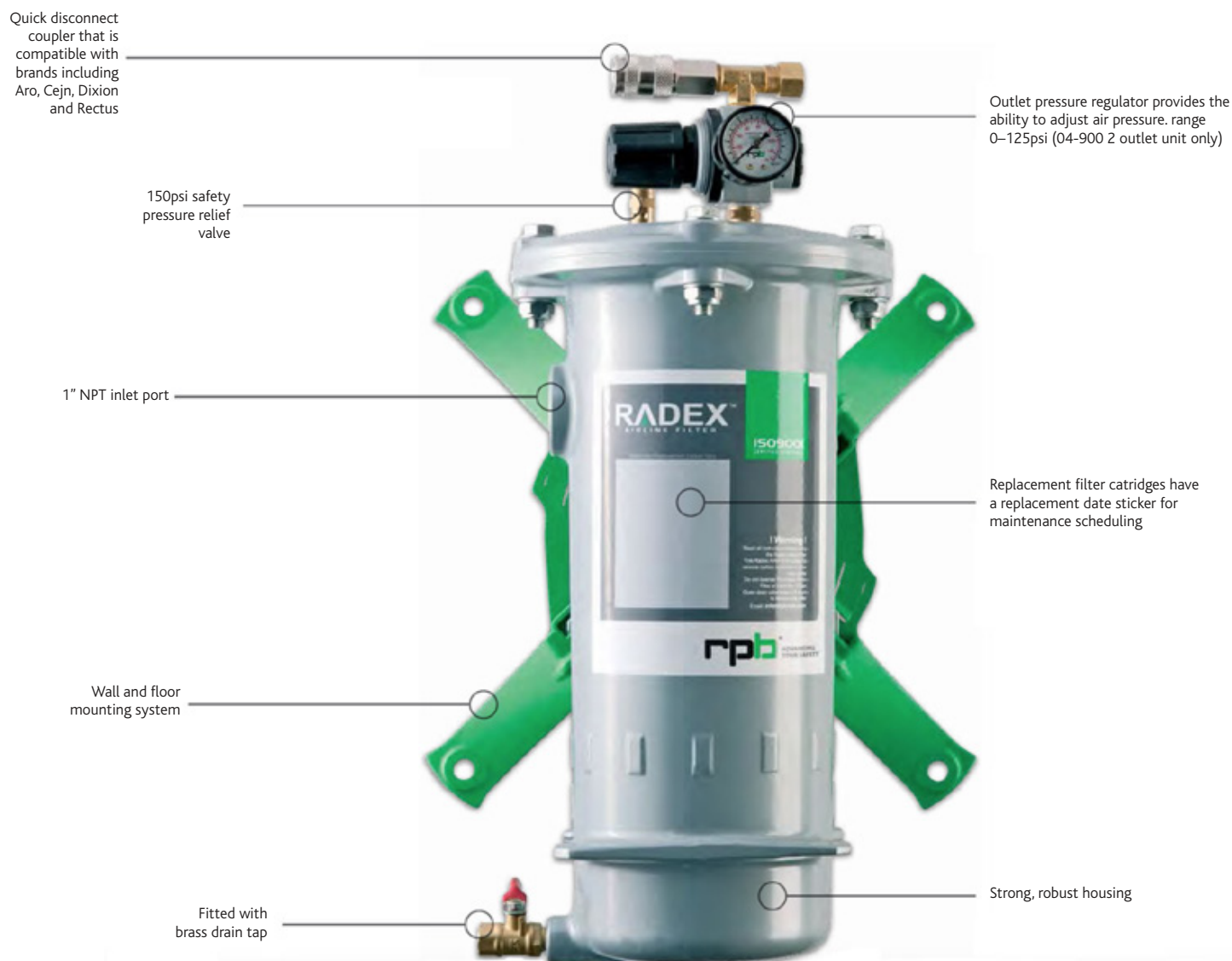
Polluted air can be the cause of major health issues. How can you improve the quality of the air your employees are breathing? The RPB® Radex™ Airline filter exceeds industry filtration standards so you can be assured that your workers won't suffer the consequences of breathing contaminated air.

The Radex Airline Filter is fitted with a large capacity, 6-stage filter cartridge that removes moisture and particulates to 0.5 micron and odour from the compressed air stream, providing clean, breathable air.

An optional auto drain valve is available to fit to your filter that continually removes moisture from the filter housing, increasing the lifespan of the filter cartridge.

Wall and floor mounting system

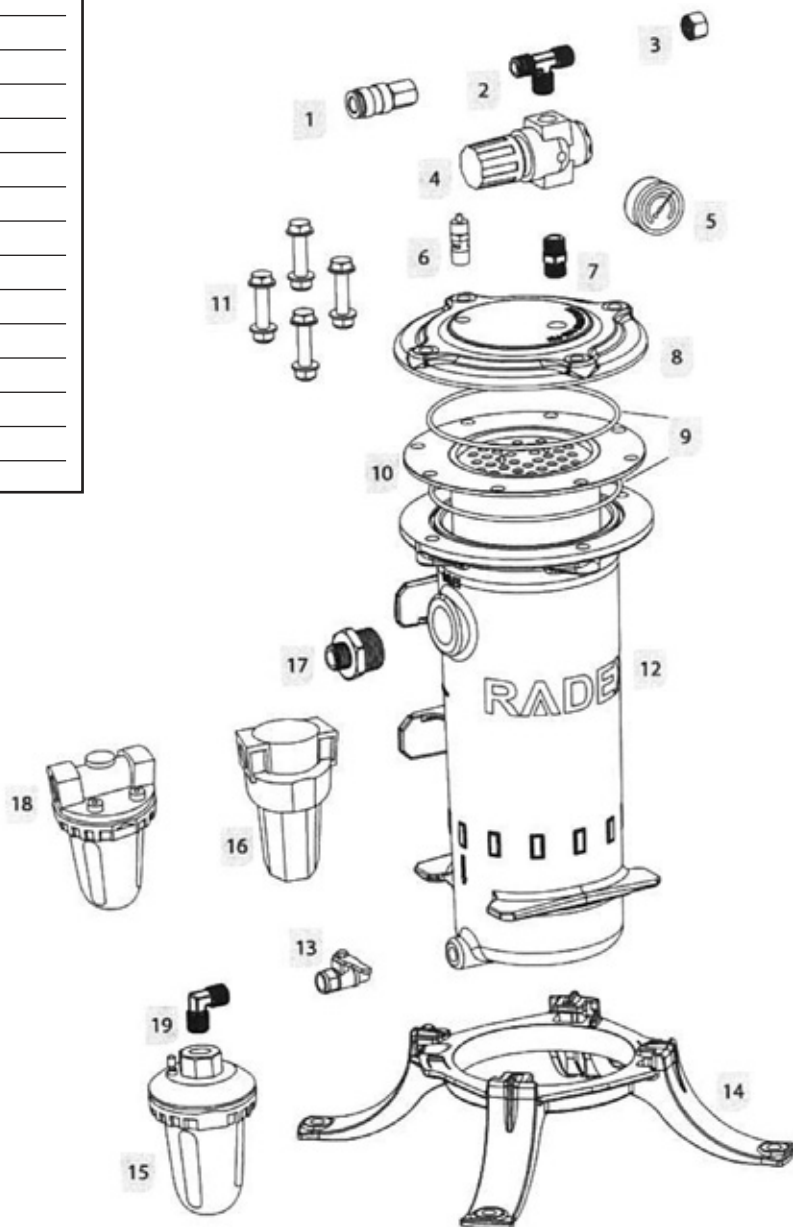
- Has a unique twist and lock mounting system, making it easy to mount to the floor or wall.
- No bolts required, simply place in position and turn to lock.



RADEX AIRLINE FILTER

Radex Airline filter – Parts list

| Item | Part no. | Description |
|------|-----------|------------------------------|
| 01 | AB04-911 | Quick disconnect coupler |
| 02 | AB04-912 | 3/8" tee |
| 03 | AB04-913 | 3/8" cap |
| 04 | AB04-914 | Pressure regulator |
| 05 | AB04-915 | Pressure gauge |
| 06 | AB04-916 | Pressure relief valve 125psi |
| 07 | AB04-917 | 3/8" hex nipple |
| 08 | AB04-918 | Lid |
| 09 | AB04-919 | Oring (set of 2) |
| 10 | ABAPF3100 | Filter cartridge |
| 11 | AB04-920 | Bolt, nut washer (set of 4) |
| 12 | AB04-921 | Body |
| 13 | AB04-922 | Drain tap |
| 14 | AB04-923 | Base mount |
| 15 | AB04-924 | Auto drain unit |
| 16 | AB04-925 | Micro mist filter 1/2 |
| 17 | AB04-926 | 1" x 1/2 reducing nipple |
| 18 | AB04-927 | Main line pre filter |
| 19 | AB04-928 | Brass Elbow |



BULLARD BLAST HELMET

Bullard blasting helmet provides advanced protection in the harsh exposures of blasting and painting. The snug, yet comfortable, sewn-in neck cuff provides a physical barrier to airborne contaminants and helps maintain positive pressure within the helmet. A new double lining in the neck area now enhances durability and protection.

Comfortable Fit

A lightweight inner shell with an adjustable headband suspension holds the respirator firmly and comfortably on the wearer's head. Airflow is channeled directly to the user's breathing zone for easy breathing. The helmet easily accommodates beards, prescription eye wear, or safety glasses.

Optimum Visibility

The wide-angle faceshield lens and headband suspension system are positioned for optimum visibility. With the translucent yellow helmet, workers don't experience a closed-in feeling.

Climate Control

Optional climate control assemblies permit workers to warm or cool incoming air to maximise comfort and improve productivity.

Features and Benefits

- New latch design on window frame and helmet. Stronger, lower profile provides more tension on window, and protection for the interior hook.
- New breathing tube with more flexible coating and forest green cuffs. More flexible and durable, reducing the amount of strain on the helmet and thus the user's neck.
- New cape design with double lining above neck. Double lining enhances durability, comfort, and protection.
- New latch position behind window frame. Reduces difficulty of attaching cape to helmet and prevents accidental opening.
- New breathing tube positioning loops on back of cape to retain the breathing tube. Reduced snagging hazard on breathing tube.
- Mylar cover lens with new pull-tab design. Easier to pull off used cover lens.



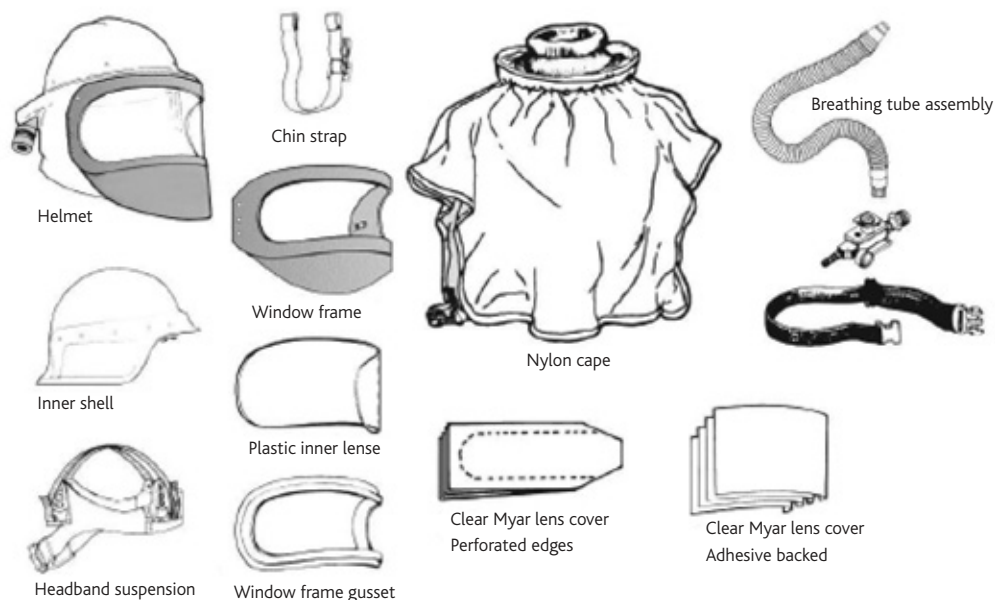
Model 88E39 assembly

| Part no. | Description |
|-----------|---|
| PPEHELB88 | Air supplied blasting helmet, complete with: |
| | - Breathing tube |
| | - 9mm European Interchange nipple, and nylon belt |
| | - Adjustable flow control valve with low flow warning device and pressure gauge |
| | - 71cm length nylon cape |
| | - Inner and outer lens |
| | - CE approved to EN 271 |

BULLARD BLAST HELMET

Bullard blast helmet spare parts

| Part no. | Description |
|-----------------|--|
| PPEHELB8888BT | 88VXBT - Breathing tube – connector not included |
| PPEPSH4612 | 4612 - Belt, nylon |
| PPEHELB8841022 | 46VX - 71cm length nylon cape (tan) - standard |
| PPEHELB8813644 | 13VX - 97cm length nylon cape (tan) - optional |
| PPEHELB88771040 | P771B - Inner lens, acetate, oval, 0.040" thick (single) |
| PPEHELB880IX100 | P771020 - Outer lens, PETG, oval, 0.020" thick (Pk of 50) |
| PPEHELB88771B | Middle lens (single) |
| PPEHELB88771LC | 77VXLC - Perforated edge clear mylar lens cover (Pk6) |
| PPEHELB8888TG | 88VXTGP - Adjustable headband suspension, incl. sportek brow pad |
| PPEHELB882ONC | 88CS - Elastic chin strap (Pk10) |
| PPEHELB8888CK | 88CK - Breathing tube connector kit, includes: <ul style="list-style-type: none"> - connector with sleeve - hardware - gasket - o-ring |
| PPEHELB887712 | 88VXAK - Window maintenance kit, includes: <ul style="list-style-type: none"> - window frame - window gasket with inner lens - latch assembly |
| PPEHELB88F40 | F109E - Air flow regulator with quick connect fitting |



AIR FILTER CARTRIDGES

The AFC-B100 and AFC-C100 Air Filter Cartridges will fit into many brands of Air Filter Units available on the market. AFC-B100 fits into Airblast/Bullard and AFC-C100 fits into Clemco Helmet Air Filters.

Increased Filter Life

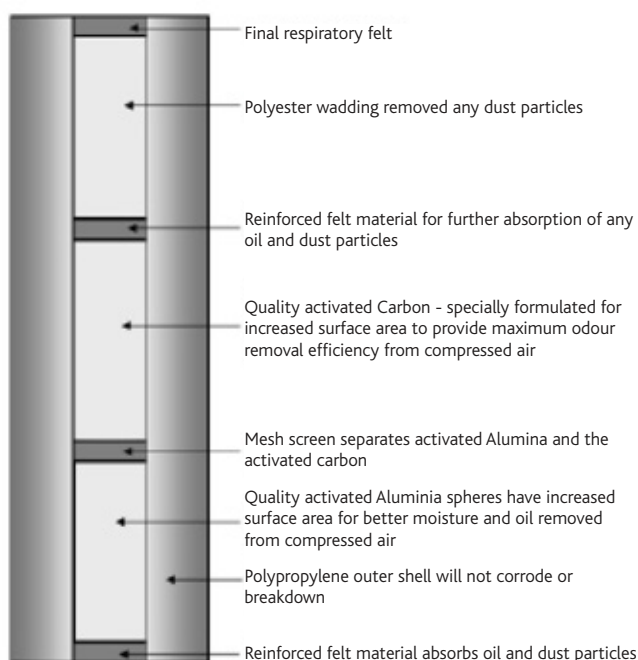
Both Air Filter Cartridges can offer increased filter life with the use of quality filtration materials. Greater material surface area provides increased absorption of oils, water and odours. The natural fibre felt swabs very efficiently absorb oil from the air stream allowing the compressed air to flow through to the further stages of moisture and odour removal.

Quality Materials

The highest quality filtration materials which are manufactured to exacting standards have been chosen for the above Air Filter Cartridges to ensure the most efficient and effective filtration.

No Corrosion

The AFC-C100 and AFC-B100 Air Filter Cartridges are injection moulded polypropylene which will not corrode or collapse like tin alternatives.



| Part no. | Description |
|---------------|-------------|
| PPEFIL41AFC | AFC-B100 |
| PPEFILCPF3547 | AFC-C100 |

CLIMATE CONTROL TUBES

The Airblast Eurospray Climate Control Tube for cold air cools compressed breathing air coming into respirators by as much as 18°C. The Climate Control Tube for hot air warms compressed breathing air coming into respirators by as much as 17°C. Both tubes help maximise worker comfort and increase productivity in cold or hot climates.

Climate Control Tubes are fitted with an airflow regulator that allows the user to adjust the outgoing air temperature to suit their requirements. All components of the tube are replaceable and the unit can be disassembled for cleaning and maintenance.

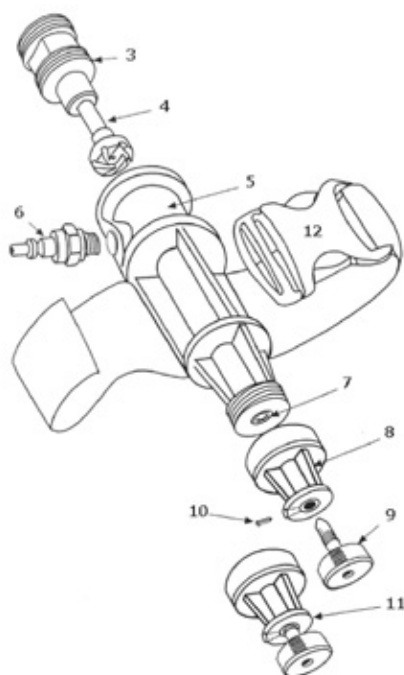
Climate Control Tubes are manufactured from non toxic engineering plastic which is extremely robust and ideal for the rigours of the workplace.

- All parts are easily removable for maintenance and cleaning.
- Tough engineering plastic designed for harsh conditions.
- Regulator to control air temperature and airflow.
- Strong webbed belt.



Climate Control Tubes

| Part no. | Description |
|---------------|------------------------|
| PPEHELV40001 | Cold Air Tube assembly |
| PPEHELV400020 | Hot Air Tube assembly |



AC1000/HC2400 CLIMATE CONTROL TUBES

AC1000 Cool Tube

The AC1000 cools incoming air from compressed breathing air sources by as much as 17°C (30°F). It helps maintain worker comfort and maximise productivity while working in extremely hot and humid environments. The AC1000 features an adjustable airflow control valve that allows the user to adjust the incoming air temperature to a level best suited to individual comfort.

HC2400 Hot/Cold Tube

The HC2400 cools or warms incoming air from compressed breathing air sources. It is ideally suited for early spring or late fall when the air needs warming in the morning and cooling in the afternoon. When used in the cool mode, the Hot/Cold Tube decreases the incoming air temperature by as much as 17°C (30°F). When warm air is desired, the incoming air temperature may be increased by up to 17°C (30°F). The HC2400 features an adjustable airflow control valve that allows users to regulate the temperature of incoming air to a comfortable level. It is simple to convert the HC2400 from cool air to warm air or warm to cool. It takes the worker just seconds to convert from one mode to the other and then resume work activity.

Both models fit to breathing tube of CC20 Paint Spray Hood and Model 88 abrasive blasting helmet.



| Part no. | Description |
|--------------|---|
| PPEPSHAC1000 | AC1000 Cool Tube incl. ¼" quick connect fitting and belt |
| PPEPSHAC2000 | HC2400 Hot/Cold Tube incl. ¼" quick connect fitting, belt and heat shield |

BLASTING AND PAINTING CLOTHING

Overall

This Blasting Overall has been designed to enhance worker comfort and protect the worker from abrasive rebound.

The heavy duty blasting overalls are fitted with leather reinforced fronts of the sleeves and legs and have leather elbow pieces and a leather neck collar. The front can be closed by a double flap with velcro. The sleeves and legs can be closed with velcro straps.

CE certified

- Leather protection pieces
- Double velcro closures
- Comfortable fit

Leather blouse and gloves

Leather blasting blouse and gloves for optimum protection.

Cotton clothing

Cotton comfort blouse, trouser and hood to provide protection from dust and spray.



Leather/Cotton overalls

| Part no. | Description |
|---------------|--------------------------------|
| PPEBS40500S | LO-50, small |
| PPEBS405010M | LO-52, medium |
| PPEBS40520L | LO-54, large |
| PPEBS40530XL | LO-56, extra large |
| PPEBS40531XXL | LO-58, extra extra large |
| PPEBS405320 | LO-60, extra extra extra large |

Leather Gloves

| Part no. | Description |
|----------|---------------|
| PPEGLC1 | G-L/90 (pair) |

GX4 GAS DETECTION MONITOR

Toxic gases are one of the number one risks to employees working in industrial environments and yet some employers are not monitoring the breathing air their workers are using every day. Put the safety of yourself and your employees first with the GX4 Gas Monitor from RPB – an intelligent monitoring system which can detect up to four gases simultaneously.

Some toxic gases like carbon monoxide are completely invisible to the human senses but high level exposure can kill in a matter of minutes and even low level exposure can cause serious illness and long term health concerns. Early symptoms are often mistaken for flu, headaches or tiredness and are frequently ignored.

The GX4 can be easily mounted to the RPB Radex Airline Filter or to the wall and constantly monitors air supply for up to four different gases. The unit uses four pre-calibrated gas sensor cartridges that last for up to two years and can be easily removed and replaced as required. It is fitted with a 103 DBA staccato alarm and can also be connected to other external alarms or automatic shut off systems to make sure that workers are alerted if gases are approaching unsafe levels.

Readings are displayed in real time on the illuminated display and the unit also has a built in WIFI hotspot so it can be accessed via a laptop, tablet, phone or network. The unit keeps detailed records, logging data every five seconds which is useful for inspectors. It also keeps logs of any alarms that go off so that if it is ignored or silenced you'll still be able to see when it was triggered. It also monitors each gas cartridge and alerts the user when a replacement is needed.

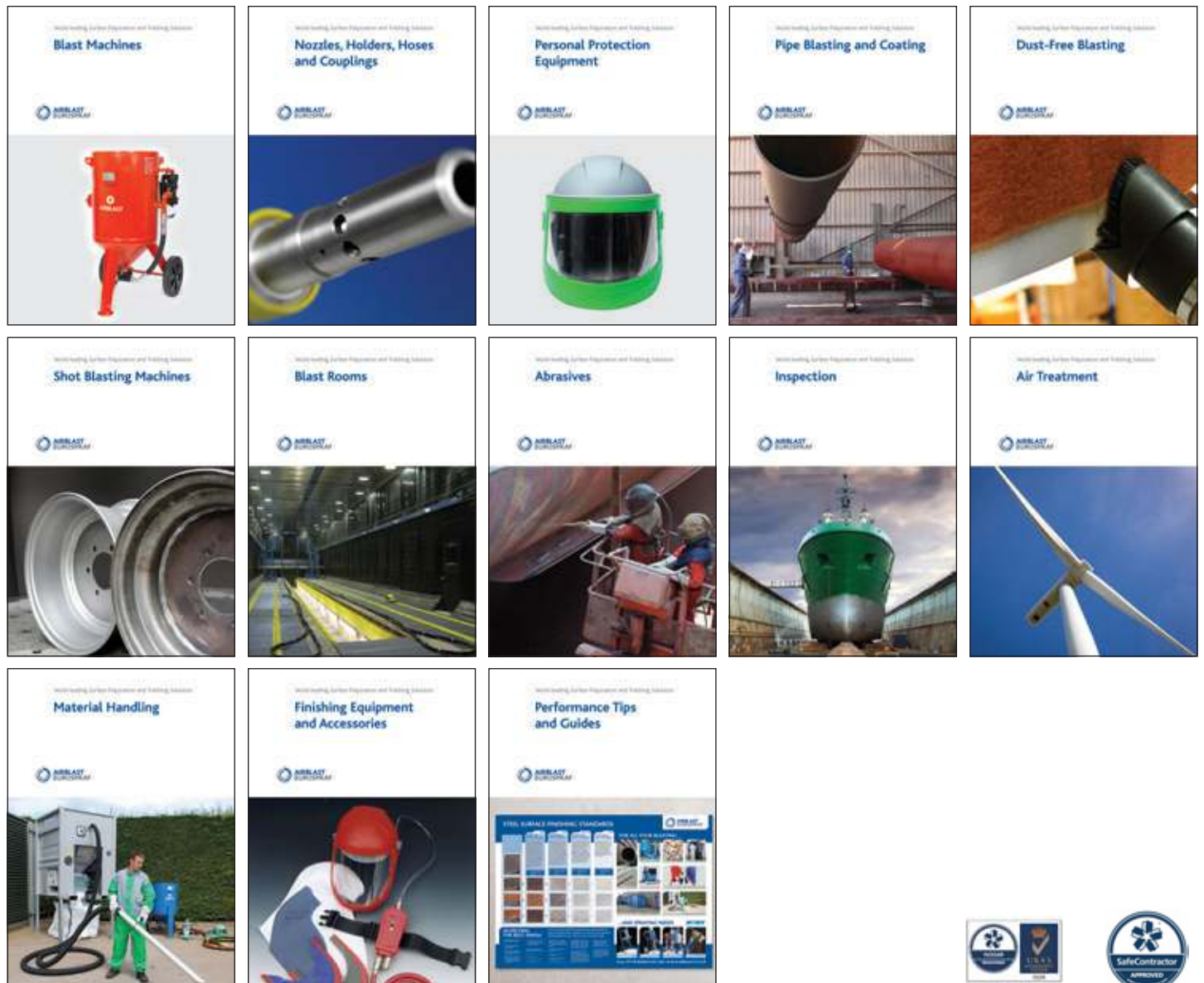
Features

- Monitor up to four gases simultaneously.
- Pre-calibrated gas sensors that last for up to two years.
- All electronics are sealed inside to prevent exposure to contamination and oil.
- All parts are available as spares.
- Clear hose allows you to monitor contamination.
- Robust power inlet.
- Push release air inlet.
- Cartridges can be easily removed and replaced.
- Strong nylon ABS case suitable for tough conditions.
- 103 DBA staccato alarm.
- Sturdy mounting bracket.
- Can be mounted to Radex Airline Filter or to the wall.
- Universal power options.
- Can be connected to external alarms if working remotely.
- Calibration kit available for quick and easy calibration check with no set points required.
- Pairs perfectly with RPB Nova 2000, RPB Nova 3, RPB Radex Filter and more.

Please note: Unit is supplied with one pre-calibrated Carbon Monoxide sensor cartridge. Additional cartridges sold separately.



WORLD LEADING SURFACE PREPARATION & FINISHING SOLUTIONS



Airblast Eurospray account

To open an account, simply get in touch with us today.

All products sold are subject to our standard Terms and Conditions, which are available on request. E&OE. Price does not include delivery.

Products and services

- Blast rooms
- Abrasive blast cabinets
- Portable blast systems
- Blast accessories
- Lighting systems
- Compressors
- Dust recovery equipment
- Paint spray booths
- Coating systems
- Coating accessories
- Personal Protective Equipment
- Media
- Testing equipment
- Design and build
- Servicing
- Reconditioning
- Pressure testing
- Training
- Sample processing
- Equipment hire

Contact us

For further information on how our products and services could benefit your company, please contact us by any of the means below.

Airblast Ltd
 Unit 26, King Street Industrial Est
 Langtoft, Peterborough
 Cambridgeshire PE6 9NF

Tel 01778 560650
 Fax 01778 560724
 sales@airblast.co.uk
 www.airblast.co.uk